

Available Colors

Painted Cabinets



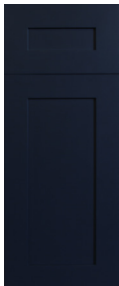
Pure White

This crisp, bright white color will help lighten up any space! It's the perfect color for creating a minimalist and clean design, and it pairs well with a wide variety of color schemes and home décor accents.



Proper Gray

This modern gray color offers versatility by being part of a neutral color palette, yet it still contains just the right amount of warmth. With the ability to be paired with so many materials and fixtures, you'll find yourself enjoying the inherent ease and innovation of Proper Gray!



Marine Blue

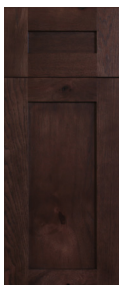
Adding a pop of color to a kitchen has never been easier! This attractive shade of blue will help accent many aspects of your design, and will give any home some extra flair without sacrificing functionality. This unique, rich color can also be used to make an island the focal point of the room.

Stained Cabinets



Ideal Gray

The sleek design and visible quality of our Gray stain can help add just the right touch of sophistication to any home! Convey a sense of ease, luxury, and style by pairing Ideal Gray with a light wall color, virtually any type of countertop (almost any countertop looks good with it!), and good lighting fixtures.



Rustic Hickory

Channel a more traditional and down-to-earth look with our Hickory stain! This light stain will accentuate the innate, rustic charm of the wood grain and can introduce a more natural vibe to any homeowner's kitchen or bath.

Table of Contents

Wall Cabinets

Wall Cabinet, 1 Door and Wall Cabinet, 2 Doors	Page 1
Bridge Wall Cabinet, 2 Doors and Wall Microwave Cabinet	Page 2
Wall Diagonal Corner Cabinet and Angle Wall Cabinet	Page 3

Base Cabinets

Base Cabinet, 1 Full Height Door, Full Height Base Cabinet with Spice Rack, and Base Cabinet, 1 Door, 1 Drawer	Page 5
Base Cabinet, 2 Doors, 1 Drawer, Base Cabinet, 2 Doors, 2 Drawers, and Sink Base Cabinet	Page 6
Farmhouse Sink Base Apron Cabinet and Corner Sink Base Diagonal Cabinet	Page 7
Drawer Base Cabinet, 2 Drawers and Drawer Base Cabinet, 3 Drawers.....	Page 8
Corner Base Cabinet with Lazy Susan and Blind Base Corner Cabinet.....	Page 9
Corner Base Diagonal Cabinet with Shelf and Angle Base Cabinet	Page 10

Utility / Pantry Cabinets

Pantry Cabinet and Built-in Oven Single/Double	Page 11
--	---------

Vanity / Bath Cabinets

Vanity Drawer Cabinet, Vanity Sink Base Cabinet, and Vanity Mirror	Page 13
--	---------

Samples

Sample Door	Page 15
-------------------	---------

Panels & Skins

Base End Panel, Wall End Panel, and Dishwasher Panel	Page 17
Fridge Panel and Fridge Panel with Return (1 1/2" or 3" Filler).....	Page 18
Toe Kick, Base Cabinet Skin, Wall Cabinet Side Panel, and Island Panel	Page 19

Table of Contents

Accessories

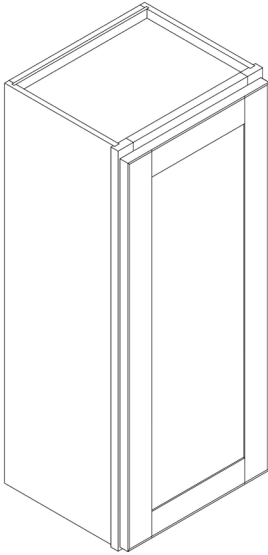
Pullout Waste Bin Double Can, Wood Cutlery Tray, and Wood Utensil Tray.....	Page 21
Spice Drawer Insert, Rollout Tray, and Tray Divider.....	Page 22
Plate Rack, Wine Storage Cabinet, and Wine Rack	Page 23
Wine Glass Rack, Pegboard, and Door Mount Storage	Page 24
Sink Base Tilt Out, Straight Valance, and Traditional Arch Valance	Page 25
Single Glass Door, Double Glass Door, and Mullion Door.....	Page 26
Glass Shelf, Base Filler, and Wall Filler	Page 27
Small Bar Bracket Corbel, Cabinet Feet, and Shaker-Tapered Wood Leg Post.....	Page 28

Moldings

Scribe Molding, Classic Light Rail, Flat Light Rail, and Quarter Round	Page 29
Classic Crown Molding, Flat Crown Molding, Large Cove Molding, and Corner Molding	Page 30
Batten Molding, Base Molding, and Corner Cove Molding	Page 31

Wall Cabinets

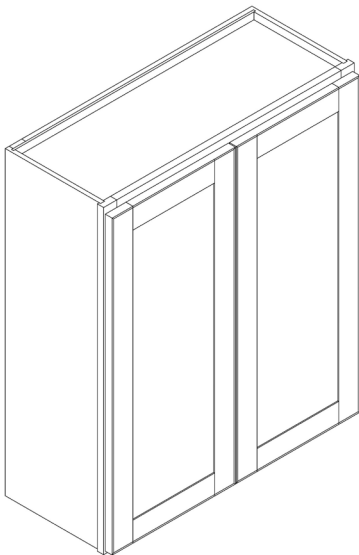
Wall Cabinet, 1 Door



WC0930	9	30	12
WC1230	12	30	12
WC1530	15	30	12
WC1830	18	30	12
WC2130	21	30	12
WC0936	9	36	12
WC1236	12	36	12
WC1536	15	36	12
WC1836	18	36	12
WC2136	21	36	12
WC0942	9	42	12
WC1242	12	42	12
WC1542	15	42	12
WC1842	18	42	12
WC2142	21	42	12

- 30" and 36" high cabinets have 2 shelves
- 42" high cabinets have 3 shelves

Wall Cabinet, 2 Door

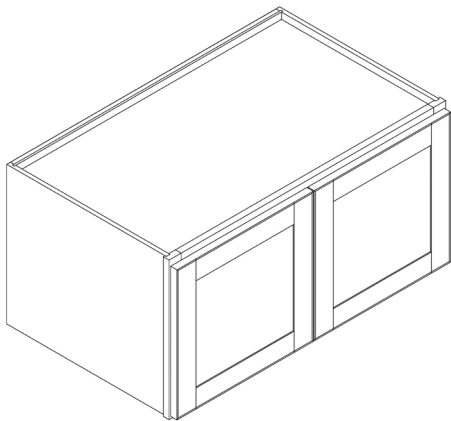
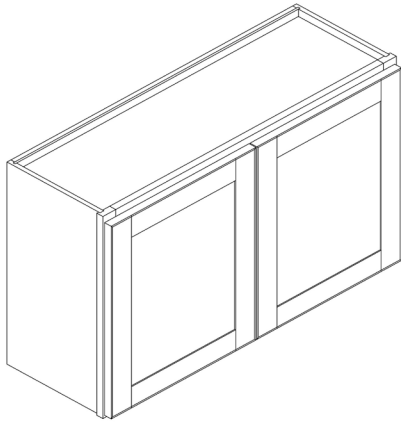


SKU	W (in)	H (in)	D (in)
WC2430	24	30	12
WC2730	27	30	12
WC3030	30	30	12
WC3330	33	30	12
WC3630	36	30	12
WC2436	24	36	12
WC2736	27	36	12
WC3036	30	36	12
WC3336	33	36	12
WC3636	36	36	12
WC2442	24	42	12
WC2742	27	42	12
WC3042	30	42	12
WC3342	33	42	12
WC3642	36	42	12

- 30" and 36" high cabinets have 2 shelves
- 42" high cabinets have 3 shelves

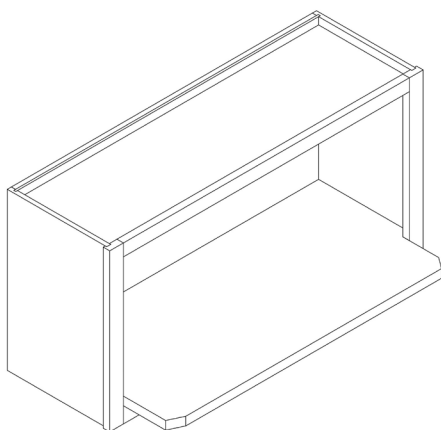
Wall Cabinets

Bridge Wall Cabinet, 2 Doors



SKU	W (in)	H (in)	D (in)
WC3012	30	12	12
WC3015	30	15	12
WC3018	30	18	12
WC3021	30	21	12
WC3024	30	24	12
WC3312	33	12	12
WC331224	33	12	24
WC3318	33	18	12
WC331824	33	18	24
WC3324	33	24	12
WC332424	33	24	24
WC3612	36	12	12
WC3615	36	15	12
WC361824	36	18	24
WC3618	36	18	12
WC362424	36	24	24
WC3624	36	24	12

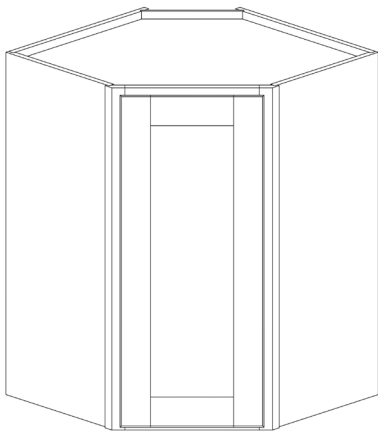
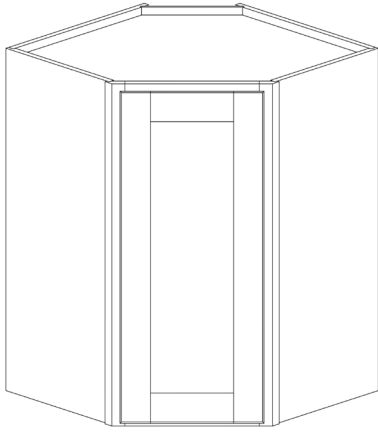
Wall Microwave Cabinet



SKU	W (in)	H (in)	D (in)
WM3018	30	18	12

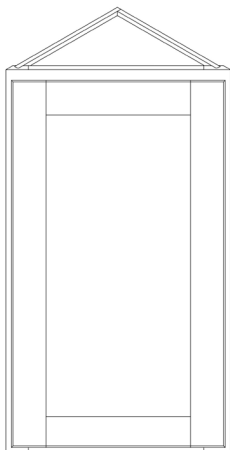
- Microwave opening is 14 1/3 high by 26 7/8 wide

Wall Diagonal Corner Cabinet



SKU	W (in)	H (in)	D (in)
WD2430	24	30	12
WD2436	24	36	12
WD2442	24	42	12
WD274215	27	42	15

Angle Wall Cabinet

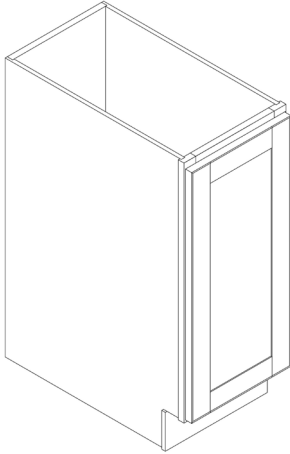


SKU	W (in)	H (in)	D (in)
AW1230	12	30	12
AW1236	12	36	12
AW1242	12	42	12

- Comes pre-assembled

Base Cabinets

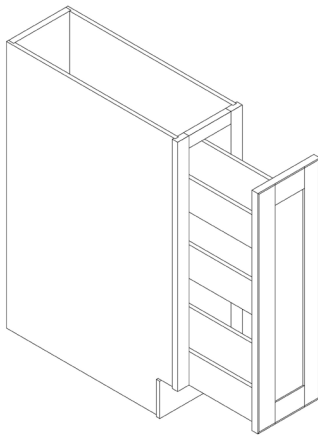
Base Cabinet, 1 Full Height Door



SKU	W (in)	H (in)	D (in)
BC09FH	9	34 1/2	24
BC12FH	12	34 1/2	24
BC18FH	18	34 1/2	24

- 1 shelf included
- Pullout waste bin (PWB18K) can be mounted on the door front of a BC18FH or BC18

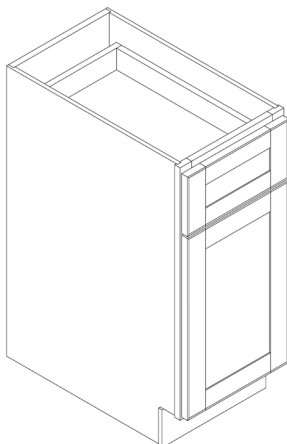
Full Height Base Cabinet with Spice Rack



SKU	W (in)	H (in)	D (in)
SR09	9	34 1/2	24
SR12	12	34 1/2	24

- Comes pre-assembled

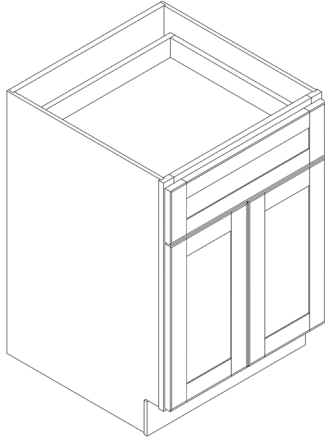
Base Cabinet, 1 Door, 1 Drawer



SKU	W (in)	H (in)	D (in)
BC12	9	34 1/2	24
BC15	12	34 1/2	24
BC18	18	34 1/2	24
BC21	21	34 1/2	24

- 1 shelf included
- Pullout waste bin (PWB18K) can be mounted on the door front of a BC18FH or BC18

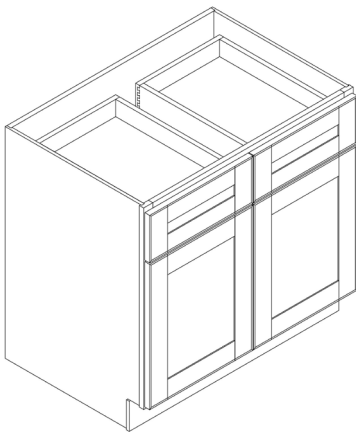
Base Cabinet, 2 Doors, 1 Drawer



SKU	W (in)	H (in)	D (in)
BC24	24	34 1/2	24
BC27	27	34 1/2	24
BC30	30	34 1/2	24
BC33	33	34 1/2	24

- 1 shelf included
- Pullout waste bin (PWB18K) can be mounted on the door front of a BC18FH or BC18
- All 2 door base cabinets are BUTT Cabinets

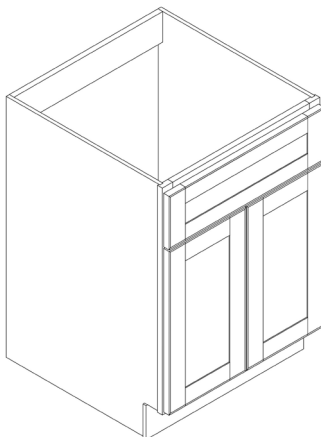
Base Cabinet, 2 Doors, 2 Drawers



SKU	W (in)	H (in)	D (in)
BC36	36	34 1/2	24

- 1 shelf included
- Pullout waste bin (PWB18K) can be mounted on the door front of a BC18FH or BC18
- All 2 door base cabinets are BUTT Cabinets

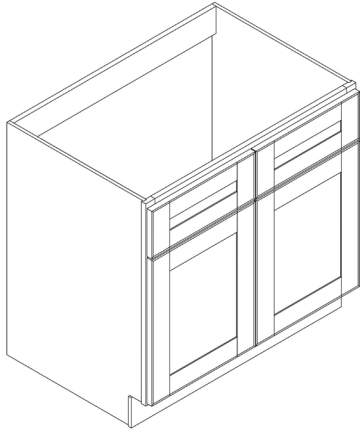
Sink Base Cabinet



SKU	W (in)	H (in)	D (in)
SB30	30	34 1/2	24
SB33	33	34 1/2	24

- 1 shelf included
- Pullout waste bin (PWB18K) can be mounted on the door front of a BC18FH or BC18

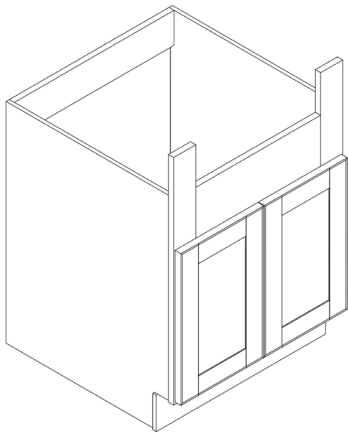
Sink Base Cabinet



SKU	W (in)	H (in)	D (in)
SB36	36	34 1/2	24

- All two door base cabinets are BUTT cabinets, (no center stile).
- SBTO kits sold separately, SBTO30 is 1 tray and SBTO36 is 2 trays

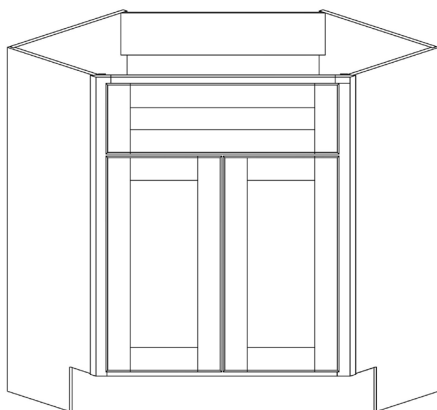
Farmhouse Sink Base Apron Cabinet



SKU	W (in)	H (in)	D (in)
SBA36	36	34 1/2	24

- 13 1/4 can be trimmed to 11 1/2.
- Refer to sink manufacturer's recommendations for additional support required for apron and farmhouse front sinks.
- All two door base cabinets are BUTT cabinets, (no center stile).

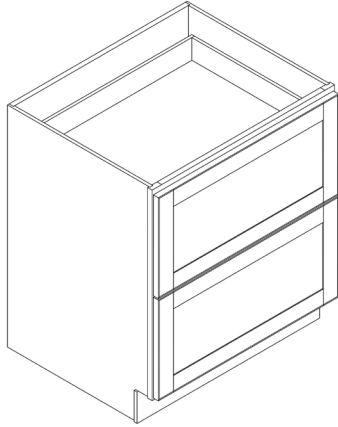
Corner Sink Base Diagonal Cabinet



SKU	W (in)	H (in)	D (in)
SBCD42	42	34 1/2	24

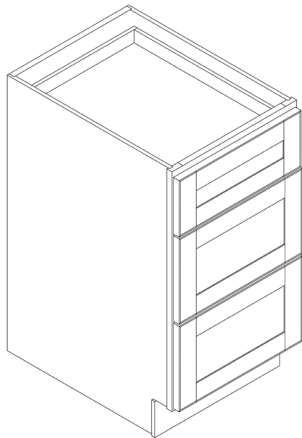
- For adequate dishwasher door clearance and load-in/ unloading space, a 15" or larger base cabinet is recommended for use between a corner sink base and dishwasher.
- SBTO kits sold separately, SBTO30 is 1 tray and SBTO36 is 2 trays

Drawer Base Cabinet, 2 Drawers



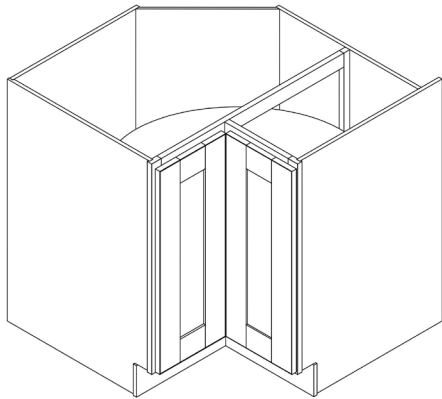
SKU	W (in)	H (in)	D (in)
DC224	24	34 1/2	24
DC230	30	34 1/2	24
DC236	36	34 1/2	24

Drawer Base Cabinet, 3 Drawers



SKU	W (in)	H (in)	D (in)
DC312	12	34 1/2	24
DC315	15	34 1/2	24
DC318	18	34 1/2	24
DC321	21	34 1/2	24
DC324	24	34 1/2	24
DC327	27	34 1/2	24
DC330	30	34 1/2	24
DC336	36	34 1/2	24

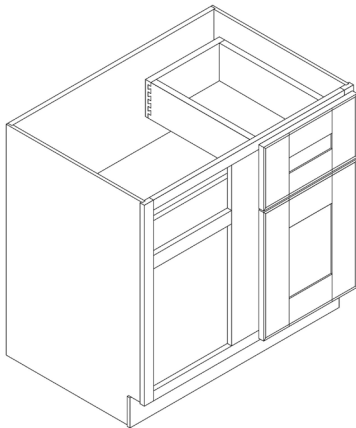
Corner Base Cabinet with Lazy Susan



SKU	W (in)	H (in)	D (in)
CB33	33	34 1/2	24
CB36	36	34 1/2	24

- All wood Lazy Susan
- Upper platter is mounted on a half-shelf

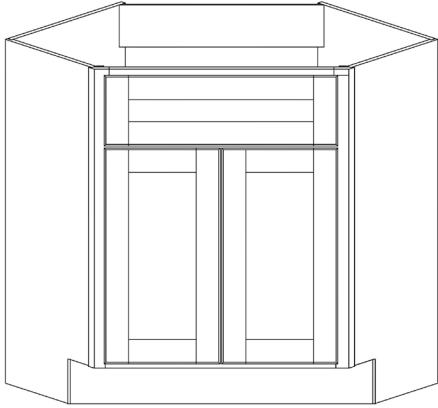
Blind Base Corner Cabinet



SKU	W (in)	H (in)	D (in)
BBC42	36	34 1/2	24
BBC45	39	34 1/2	24

- BBC42 can be pulled up to 42" minimum or 45" maximum from wall
- BBC42 door is 16 1/8" wide and the door opening is 13 1/2" wide
- BBC45 can be pulled up to 45" minimum or 48" maximum from wall
- BBC45 door is 17 5/8" wide and the door opening is 15" wide
- Universal left and right cabinet
- Perpendicular cabinet requires 3" filler for adequate clearance and is not included

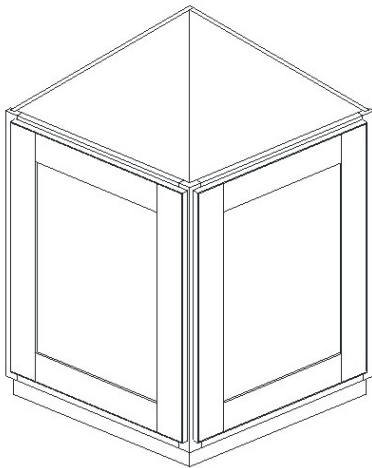
Corner Base Diagonal Cabinet with Shelf



SKU	W (in)	H (in)	D (in)
CBD42	42	34 1/2	24

- 1 shelf included

Angle Base Cabinet



SKU	W (in)	H (in)	D (in)
AB124	24	34 1/2	24

- Older style had 1/2 shelves, new style will have full shelves.



Utility / Pantry Cabinets

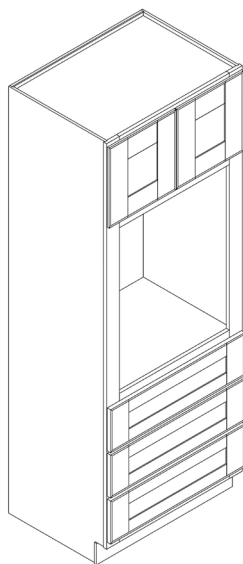
Pantry Cabinets



SKU	W (in)	H (in)	D (in)
LC1884	18	84	24
LC1890	18	90	24
LC1896	18	96	24
LC2484	24	84	24
LC2490	24	90	24
LC2496	24	96	24
LC3084	30	84	24
LC3090	30	90	24
LC3096	30	96	24

- Lower cabinet opening is 49 1/3"

Built-in Oven Single/Double

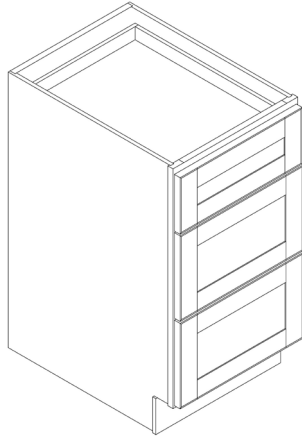


SKU	W (in)	H (in)	D (in)
OC3384SD	33	84	24
OC3390SD	33	90	24
OC3396SD	33	96	24

- Frame opening height: 27"
- Maximum cutout width: 31 1/2"
- Maximum cut-out dimension will allow 1/4" reveal
- Drawer height 7"
- For double oven, remove bottom two drawers and install support.

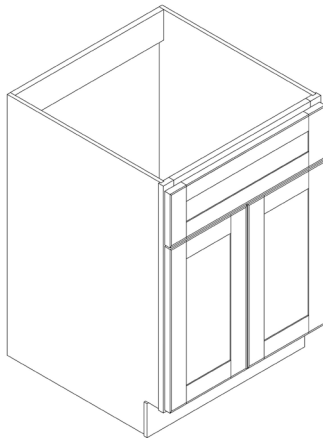
Vanity / Bath Cabinets

Vanity Drawer Cabinet



SKU	W (in)	H (in)	D (in)
VDC12	12	34 1/2	21
VDC15	15	34 1/2	21
VDC18	18	34 1/2	21
VDC24	24	34 1/2	21

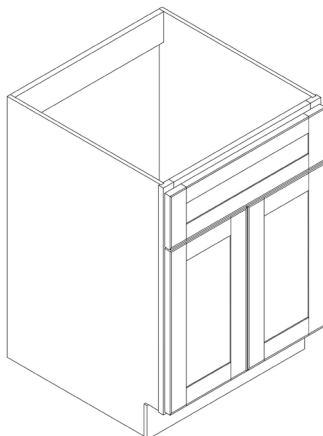
Vanity Sink Base Cabinet



SKU	W (in)	H (in)	D (in)
VSB24	24	34 1/2	21
VSB30	30	34 1/2	21

- Can be mounted either horizontal or vertical with included hardware

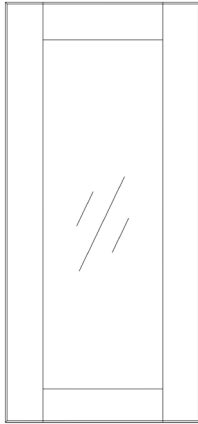
Vanity Units



SKU	W (in)	H (in)	D (in)
VDC30	30	34 1/2	21
VDC36	36	34 1/2	21
VDC42	42	34 1/2	21
VDC48	48	34 1/2	21

Samples

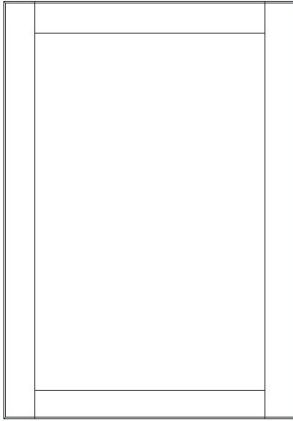
Door Samples



SKU	W (in)	H (in)	D (in)
DISPLAY	11 5/8	7 1/16	3/4
DS1215	12	15	3/4

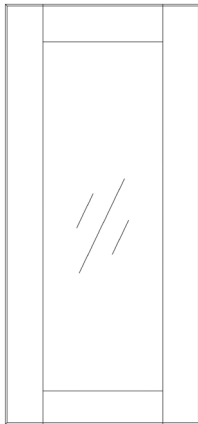
Panels & Skins

Base End Panel



SKU	W (in)	H (in)	D (in)
BEP30	23 3/4	29 1/4	3/4
BEP36	23 3/4	35	3/4

Wall End Panel



SKU	W (in)	H (in)	D (in)
WEP30	11 3/4	29	3/4
WEP36	11 3/4	35	3/4
WEP42	11 3/4	41	3/4

Dishwasher Panel



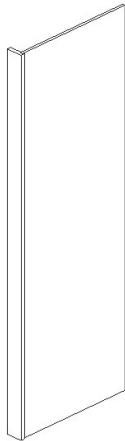
SKU	W (in)	H (in)	D (in)
DWP1.5	1 1/2	34 1/2	24
DWP3	3	34 1/2	24

Fridge Panel



SKU	W (in)	H (in)	D (in)
REF9624	3/4	96	24

Fridge Panel with Return (1 1/2" or 3" Filler)



SKU	W (in)	H (in)	D (in)
REF3084-1.5	30	84	1 1/2
REF3096-1.5	30	96	1 1/2
FP9624-1.5	24	96	1 1/2
FP9624-3	24	96	3

Toe Kick



SKU	W (in)	H (in)	D (in)
TK8	4 1/2	96	3/16

- Painted finishes will not show grain

Base Cabinet Skin



SKU	W (in)	H (in)	D (in)
BSKIN	23 1/4	34 1/2	3/16

- Painted finishes will not show grain

Wall Cabinet Skin



SKU	W (in)	H (in)	D (in)
WSKIN	11 1/4	42	3/16

- Painted finishes will not show grain

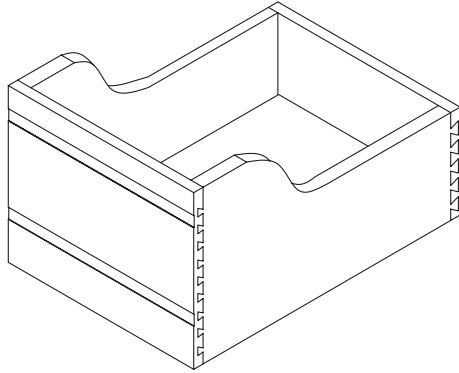
Island Panel



SKU	W (in)	H (in)	D (in)
IP96	36	96	3/16

Accessories

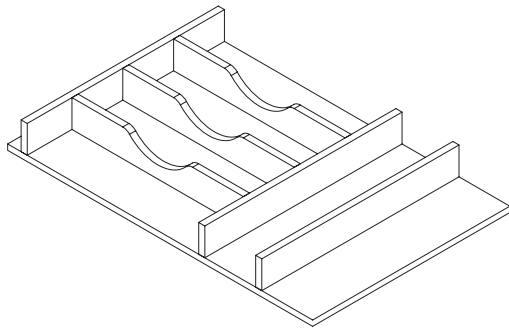
Pullout waste Bin Double Can



SKU	W (in)	H (in)	D (in)
PWB18	14 1/8	11	21

- Natural birch

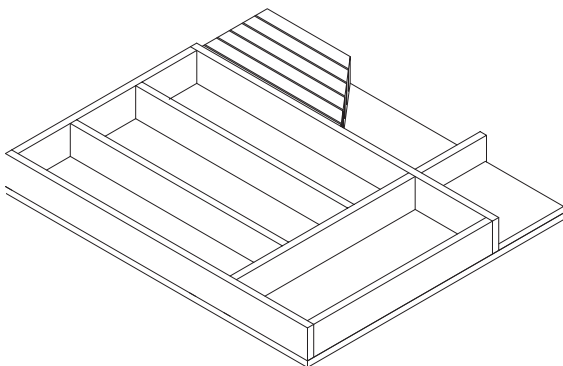
Wood Cutlery Tray



SKU	W (in)	H (in)	D (in)
WCT18	13 1/4	2 3/8	19 3/4
WCT24	19 1/4	2 3/8	19 3/4

- Natural birch
- WCT18 fits in BC18 and WCT24 fits in BC24

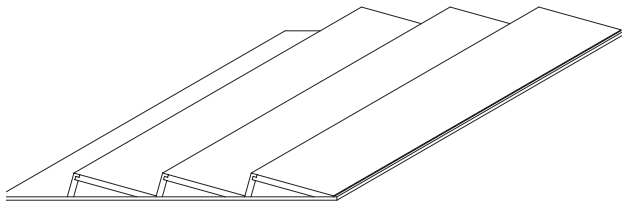
Wood Utensil Tray



SKU	W (in)	H (in)	D (in)
WUT18	13 1/4	2 3/8	19 3/4
WUT24	19 1/4	2 3/8	19 3/4
WUT30	25 1/4	2 3/8	19 3/4

- Natural birch
- WUT18 fits in BC18, WUT24 fits in BC24, and WUT30 fits in BC30
- Knife block not included in WCT18

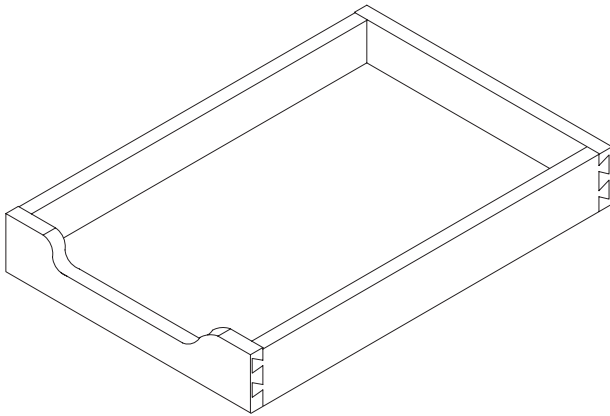
Spice Drawer Insert



SKU	W (in)	H (in)	D (in)
SDI18	13 1/4	1 5/8	19 3/4

- Natural birch

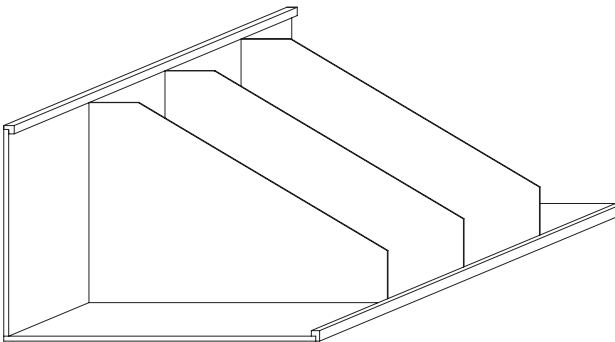
Rollout Tray



SKU	W (in)	H (in)	D (in)
RT15	11 1/8	3	21
RT18	14 1/8	3	21
RT21	17 1/8	3	21
RT24	20 1/8	3	21
RT27	23 1/8	3	21
RT30	26 1/8	3	21
RT36	32 1/8	3	21

- Natural birch

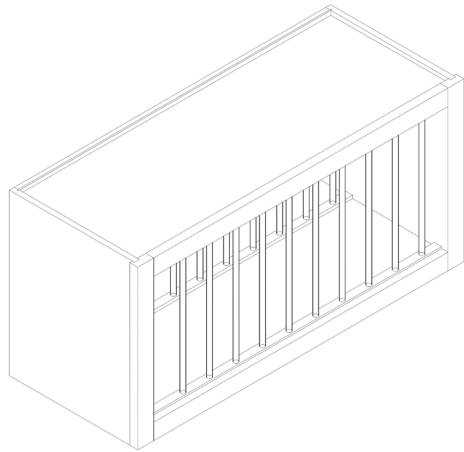
Tray Divider



SKU	W (in)	H (in)	D (in)
TD3	10 3/8	15 3/8	22 1/2

- Natural birch
- TD3 fits in a BC12

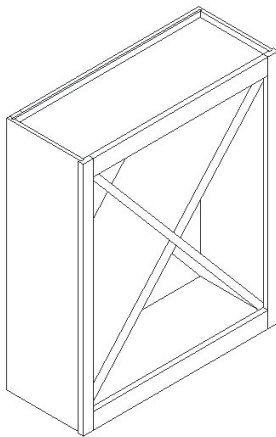
Plate Rack



SKU	W (in)	H (in)	D (in)
PL3015	30	15	12

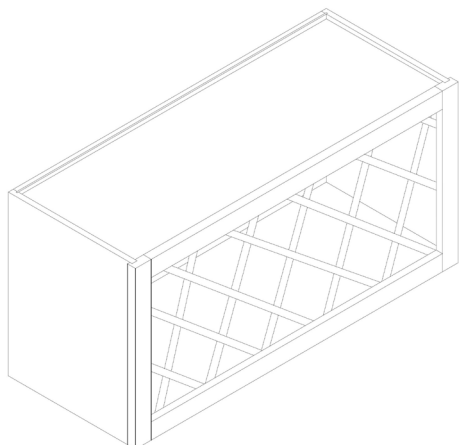
- Birch interior

Wine Storage Cabinet



SKU	W (in)	H (in)	D (in)
WSC1818	18	18	12
WSC2424	24	24	12

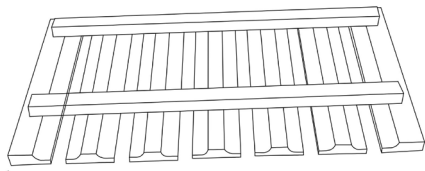
Wine Rack



SKU	W (in)	H (in)	D (in)
WR1530	15	30	12
WR1536	15	36	12
WR1542	15	42	12
WR1830	18	30	12
WR1836	18	36	12
WR3015	30	15	12
WR3018	30	18	12

- Birch interior

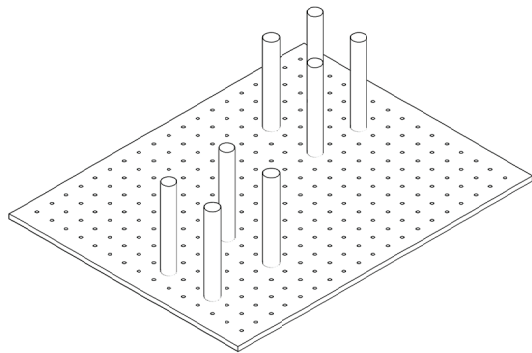
Wine Glass rack



SKU	W (in)	H (in)	D (in)
WR30GH	30	11 1/2	12

- Finished on all sides

Pegboard



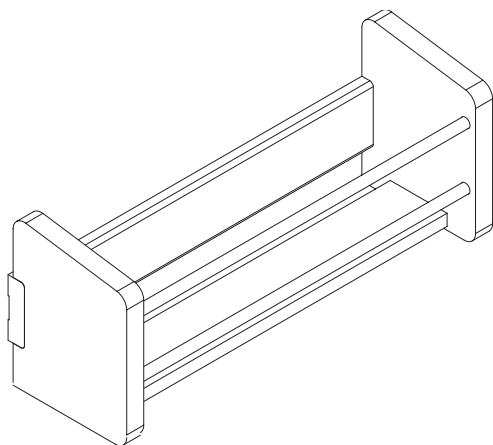
SKU	W (in)	H (in)	D (in)
PEGB30	25 3/8	3/8	19 3/4
PEG36	31 3/8	3/8	19 3/4

- Natural birch pegs with MDF base

Replacement Pegs

PEG9	1	6	1
------	---	---	---

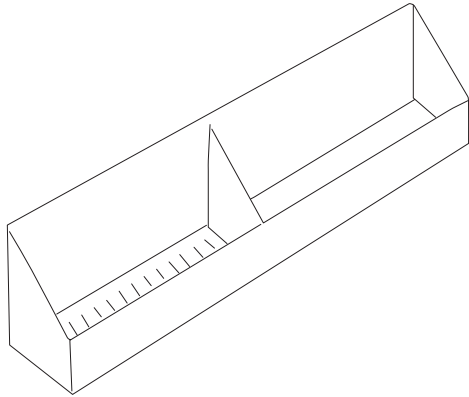
Door Mount Storage



SKU	W (in)	H (in)	D (in)
DM15	7 1/2	5	4 1/8
DM15	10 1/2	5	4 1/8

- Natural birch

Sink Base Tilt Out



SKU	W (in)	H (in)	D (in)
SBTO30	11	3 3/4	2
SBTO36	11	3 3/4	2

- SBTO36 comes with 2 trays

Straight Valance



SKU	W (in)	H (in)	D (in)
STV36	35	4	3/4
STV48	48	4	3/4

- Painted finishes: all sides finished

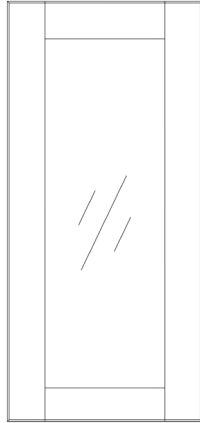
Traditional Arch Valance



SKU	W (in)	H (in)	D (in)
TAV36	36	4	3/4
TAV48	48	4	3/4

- Painted finishes: all sides finished
- Trimmable up to 4" each side

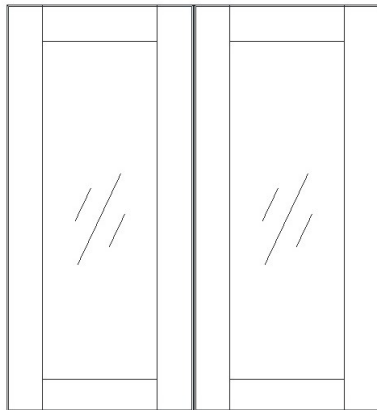
Single Glass Door



SKU	W (in)	H (in)	D (in)
WC1230GD	12	30	3/4
WC1236GD	12	36	3/4
WC1242GD	12	42	3/4
WC1530GD	15	30	3/4
WC1536GD	15	36	3/4
WC1542GD	15	42	3/4
WC1830GD	18	30	3/4
WC1836GD	18	36	3/4
WC1842GD	18	42	3/4
WC2130GD	21	30	3/4
WC2136GD	21	36	3/4
WC2142GD	21	42	3/4

- Frosted tempered glass installed
- Full cabinets must be bought separately, this sku is only 1 door

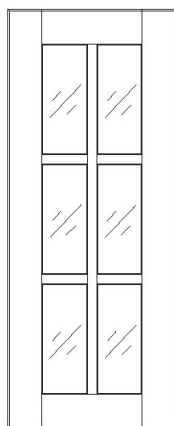
Double Glass Door



SKU	W (in)	H (in)	D (in)
WC2430GD	24	11 3/4	3/4
WC2436GD	24	11 3/4	3/4
WC2442GD	24	11 3/4	3/4
WC3030GD	30	14 3/4	3/4
WC3036GD	30	14 3/4	3/4
WC3042GD	30	14 3/4	3/4
WC3630GD	36	17 3/4	3/4
WC3636GD	36	17 3/4	3/4
WC3642GD	36	17 3/4	3/4

- Frosted tempered glass installed
- Each SKU contains two doors, full cabinets must be bought separately

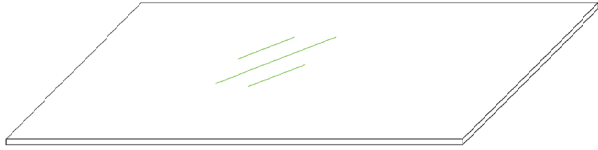
Mullion Door



SKU	W (in)	H (in)	D (in)
MD1230	12	11 3/4	3/4
MD1236	12	11 3/4	3/4
MD1242	12	11 3/4	3/4
MD1530	15	14 3/4	3/4
MD1536	15	14 3/4	3/4
MD1542	15	14 3/4	3/4
MD1830	18	17 3/4	3/4
MD1836	18	17 3/4	3/4
MD1842	18	17 3/4	3/4

- Frosted tempered glass installed
- Full cabinets must be bought separately, this SKU is only 1 door

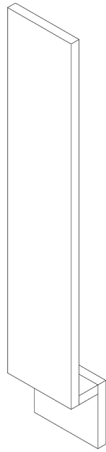
Glass Shelf



SKU	W (in)	H (in)	D (in)
GS09	7 1/2	5/16	10 1/2
GS12	10 1/2	5/16	10 1/2
GS15	13 1/2	5/16	10 1/2
GS18	16 1/2	5/16	10 1/2
GS21	19 1/2	5/16	10 1/2
GS24	22 1/2	5/16	10 1/2
GS30	28 1/2	5/16	10 1/2
GS36	34 1/2	5/16	10 1/2

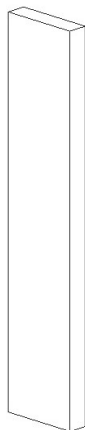
- Frosted tempered glass
- Each SKU contains 1 shelf

Base Filler



SKU	W (in)	H (in)	D (in)
BF3	3	34 1/2	3/4
BF6	6	34 1/2	3/4

Wall Filler



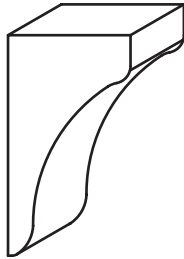
SKU	W (in)	H (in)	D (in)
WF330	3	30	3/4
WF336	3	36	3/4
WF342	3	42	3/4
WF396	3	96	3/4
WF630	6	30	3/4
WF636	6	36	3/4
WF642	6	42	3/4

- Finished on 3 sides, back natural

Small Bar Bracket Corbel

SKU	W (in)	H (in)	D (in)
SBC9	4	9	2 1/2

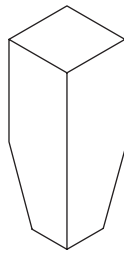
- Painted finishes: all sides finished



Cabinet Feet

SKU	W (in)	H (in)	D (in)
CF5	2 1/4	5	2 1/4

- Painted finishes: all sides finished



Shaker-Tapered Wood Leg Post

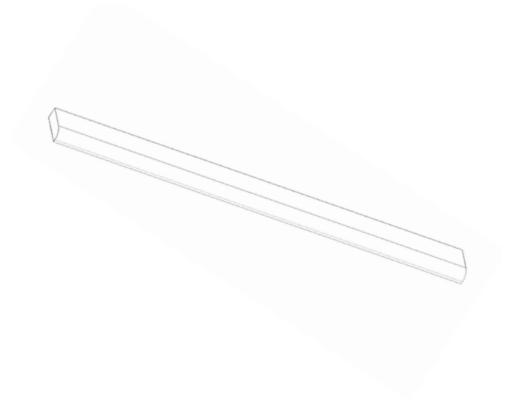
SKU	W (in)	H (in)	D (in)
STL36	3 1/2	36	3 1/2

- Natural birch



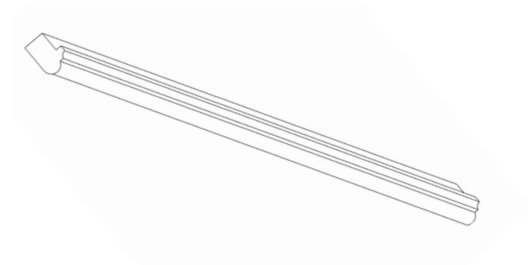
Moldings

Scribe Molding



SKU	W (in)	H (in)	D (in)
SM8	96	3/4	3/4

Classic Light Rail



SKU	W (in)	H (in)	D (in)
LRC8	96	1 1/2	1 3/4

Flat Light Rail



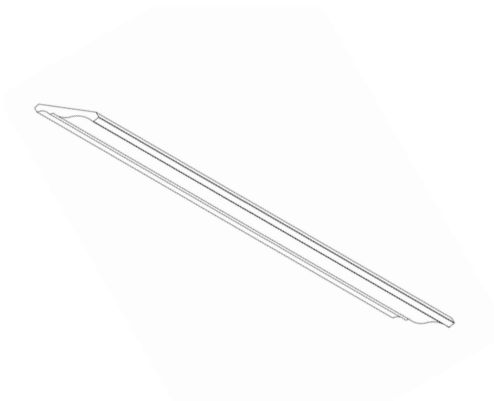
SKU	W (in)	H (in)	D (in)
LRF8	96	2	1 3/4

Quarter Round



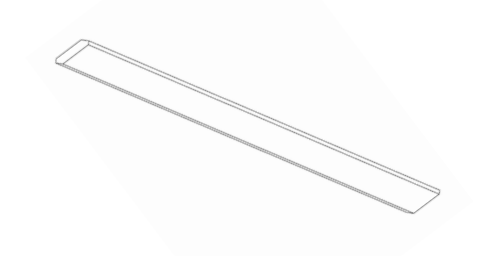
SKU	W (in)	H (in)	D (in)
QR8	96	3/4	3/4

Classic Crown Molding



SKU	W (in)	H (in)	D (in)
CMC8	96	2 3/4	1 1/4

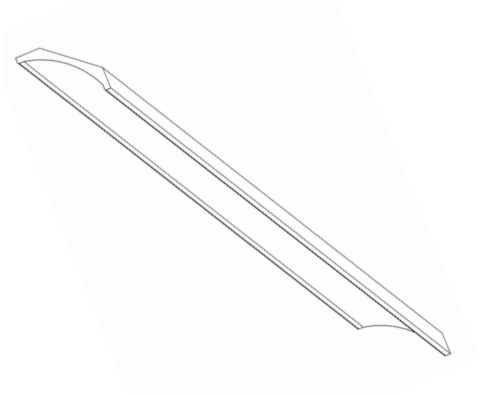
Flat Crown Molding



SKU	W (in)	H (in)	D (in)
CMF8	96	3	3/4

- All sides finished

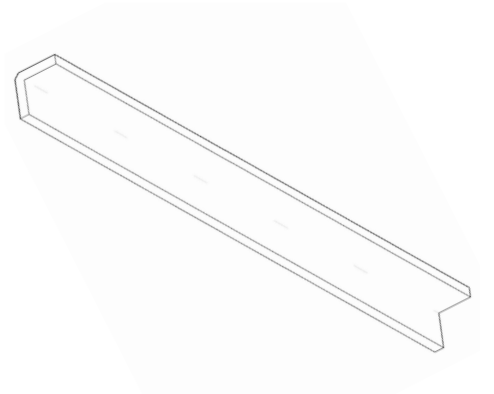
Large Cove Molding



SKU	W (in)	H (in)	D (in)
LMC8	96	3 7/8	2 3/4

- All sides finished

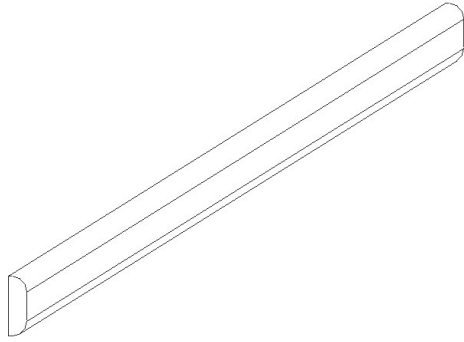
Corner Molding



SKU	W (in)	H (in)	D (in)
OM8	96	3/4	3/4

- Painted exterior. Interior natural

Batten Molding



SKU	W (in)	H (in)	D (in)
BTM8	96	3/4	1/4

- All sides finished

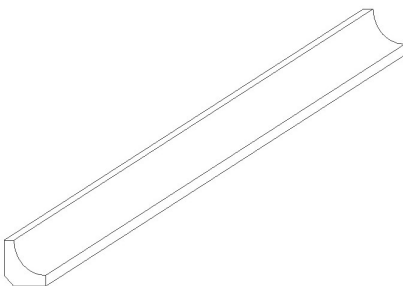
Base Molding



SKU	W (in)	H (in)	D (in)
BM8	96	4 1/2	3/8

- All sides finished

Corner Cove Molding



SKU	W (in)	H (in)	D (in)
BM8	96	4 1/2	3/8

- Painted exterior. Interior natural